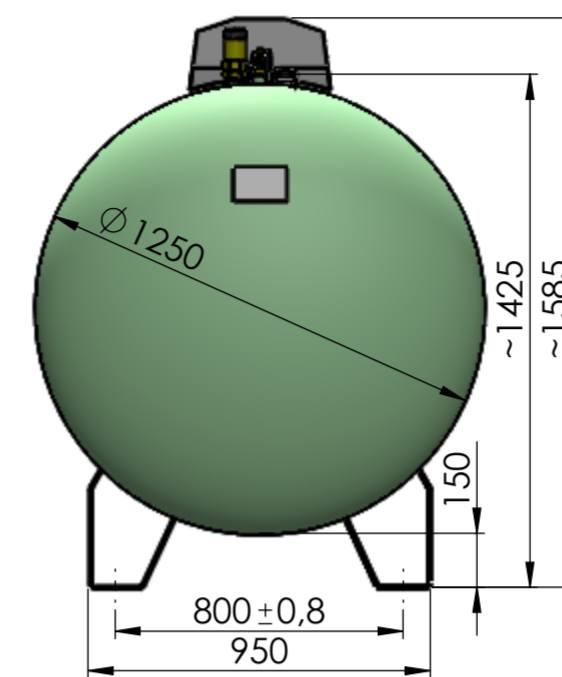
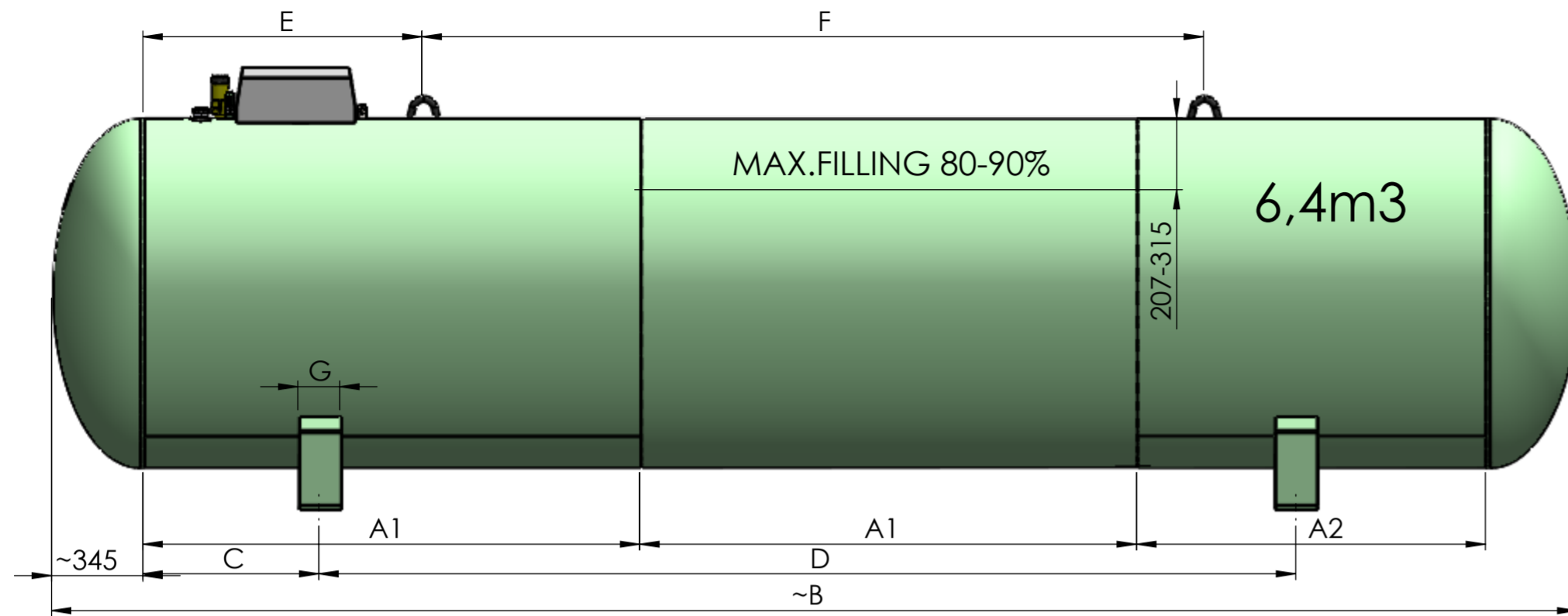


# OVERGROUND TANK D1250



VOLUME (m3)	A1 (mm)	A2 (mm)	QUANTITY A (ks)	B (mm)	C (mm)	D (mm)	E (mm)	F (mm)	G (mm)	WEIGHT (kg)
0,5 VER.	-	-	0	~660	-	400	350	700	100	185
0,5 HOR.	-	-	0	~1250	-	-	370	740	100	185
1,0	415	-	1	~1100	208	-	215	-	100	270
1,6	890	-	1	~1590	195	500	215	-	100	370
1,8	1050	-	1	~1740	175	700	215	-	100	385
2,1	1250	-	1	~1960	180	900	215	-	100	425
2,3	1500	-	1	~2190	200	1100	215	-	100	455
2,7	1780	-	1	~2480	190	1400	920	-	100	500
3,6	2500	-	1	~3200	250	2000	490	1500	100	640
4,8	1780	-	2	~4250	780	2000	1100	1320	100	805
6,0	1500	-	3	~5160	750	3000	1250	2000	150	975
6,4	1780 (2x)	1250	3	~5500	630	3500	1000	2800	150	1035
7,0	1780	-	3	~6020	910	3500	1300	2600	150	1115
9,1	1780	-	4	~7790	1060	5000	2050	3000	150	1350
10,0	1780 (3x)	1250	5	~8520	930	2x3000	2350	3400	150	1500
10,2	2000	-	4	~8690	860	2x3000	2250	3400	150	1530
11,2	1780	-	5	~9560	1430	2x3000	2750	3300	150	1705
11,5	1500	-	6	~9690	850	2x3500	2490	4000	150	1730
12,8	1780 (5x)	1250	6	~10850	1075	2x4000	2820	4500	150	1930
13,0	1780 (3x)	1250	7	~11020	1130	2x4150	2565	5000	150	1970

MAX. WORKING PRESSURE	TESTING PRESSURE	MAX. WORKING TEMPERATURES
15,6 BAR	22,3 BAR	-20/+40 °C (-40/+40 °C)
16,7 BAR	23,9 BAR	-20/+45 °C (-40/+45 °C)
17,6 BAR	25,2 BAR	-20/+50 °C (-40/+50 °C)

STANDARD DESIGN ACCORDING TO  
EN ISO 12542\_A1, AD2000,  
PED 2014/68/EU

MAXIMUM WORKING PRESSURE: 15,6 bar  
TESTING PRESSURE: 22,3 bar  
DESIGN WORKING TEMPERATURES: -20/+40°C  
MAXIMUM FILLING: 85 %  
CORROSION ALLOWANCE: 0 mm  
WELD FACTOR: 1  
WELDED JOINTS EVALUATION ACCORDING TO AD-HP0

ADDITIONAL WELDING MATERIALS:  
WELDS 135 - WIRE 1,2 mm EN ISO 14341\_A  
WELDS 121 - WIRE 3,0 mm EN ISO 14171\_A  
WELDS 141 - WIRE 2,0 mm EN ISO 636\_A

SURFACE FINISH:  
SAND BLASTED Sa 2.5  
POLYURETHANE COATING MIN.120µm  
RAL 9010 (RAL 6019, RAL 258 010)

NAME	MANUFACTURER	TYPE	QUANTITY	MATERIAL
FILLER VALVE	REGO	7501	1	2.0402
FILLER VALVE	REGO	7579	1	2.0402
FILLER VALVE	REGO	7879	1	2.0402
FILLER VALVE	GOK	FV/54020	1	2.0402
FILLER VALVE	GOK	FV/54010	1	2.0402
FILLER VALVE	SRG	481	1	2.0402
FILLER VALVE	OMECA	VRN 88	1	2.0402
FILLER VALVE	OMECA	VRN 20	1	2.0402
GAS SERVICE VALVE	REGO	9101 DK	1	2.0402
GAS SERVICE VALVE	REGO	7556 R	1	2.0402
GAS SERVICE VALVE	GOK	55212	1	2.0402
GAS SERVICE VALVE	GOK	FST3.1VK/55 220 71	1	2.0402
GAS SERVICE VALVE	SRG	483-433-1001	1	2.0402
GAS SERVICE VALVE	SRG	489-914-1001	1	2.0402
GAS SERVICE VALVE	OMECA	8075	1	2.0402
GAS SERVICE VALVE	OMECA	GSE 35	1	2.0402
GAS SERVICE VALVE	OMECA	GS 41	1	2.0402
GAS SERVICE VALVE	OMECA	GS 80	1	2.0402
LIQUID SERVICE VALVE	REGO	7550PX	1	2.0402
LIQUID SERVICE VALVE	REGO	7590 UT	1	2.0402
LIQUID SERVICE VALVE	REGO	7591 UT	1	2.0402
LIQUID SERVICE VALVE	GOK	FEV/55 160 00	1	2.0402
LIQUID SERVICE VALVE	SRG	484-011-1001	1	2.0402
LIQUID SERVICE VALVE	OMECA	RL 15	1	2.0402
LIQUID SERVICE VALVE	OMECA	VL 13	1	2.0402
LEVEL GAUGE	ROCHESTER	6281	1	-
LEVEL GAUGE	SRG	487-913-1023	1	-
LEVEL GAUGE	SRG	487-913-1914	1	-
SAFETY VALVE EXTERNAL	REGO	3131+CD31	2	2.0402
SAFETY VALVE EXTERNAL	GOK	ATVS 20	2	2.0402
SAFETY VALVE EXTERNAL	SRG	485-911	2	2.0402
SAFETY VALVE EXTERNAL	OMECA	EU20/ST20	2	2.0402
SAFETY VALVE EXTERNAL	REGO	3132+CD32	1	2.0402
SAFETY VALVE EXTERNAL	GOK	ATVS 25	1	2.0402
SAFETY VALVE EXTERNAL	SRG	485-415	1	2.0402
SAFETY VALVE EXTERNAL	OMECA	EU25/ST25	1	2.0402
SAFETY VALVE EXTERNAL	REGO	3135+CD35	1	2.0402
SAFETY VALVE EXTERNAL	GOK	ATVS 32	1	2.0402
SAFETY VALVE EXTERNAL	SRG	485-417	1	2.0402
SAFETY VALVE EXTERNAL	OMECA	EU30/ST32	1	2.0402
SAFETY VALVE INTERNAL	SRG	486-924-1056	1	2.0402
SAFETY VALVE INTERNAL	GOK	SV-A8684/56 112 42	1	2.0402
SAFETY VALVE INTERNAL	OMECA	66.1129	1	2.0402
SAFETY VALVE INTERNAL	REGO	8684G	1	2.0402
SAFETY VALVE INTERNAL	REGO	8685G	1	2.0402

